

LEVELING AUGER

TYP T56



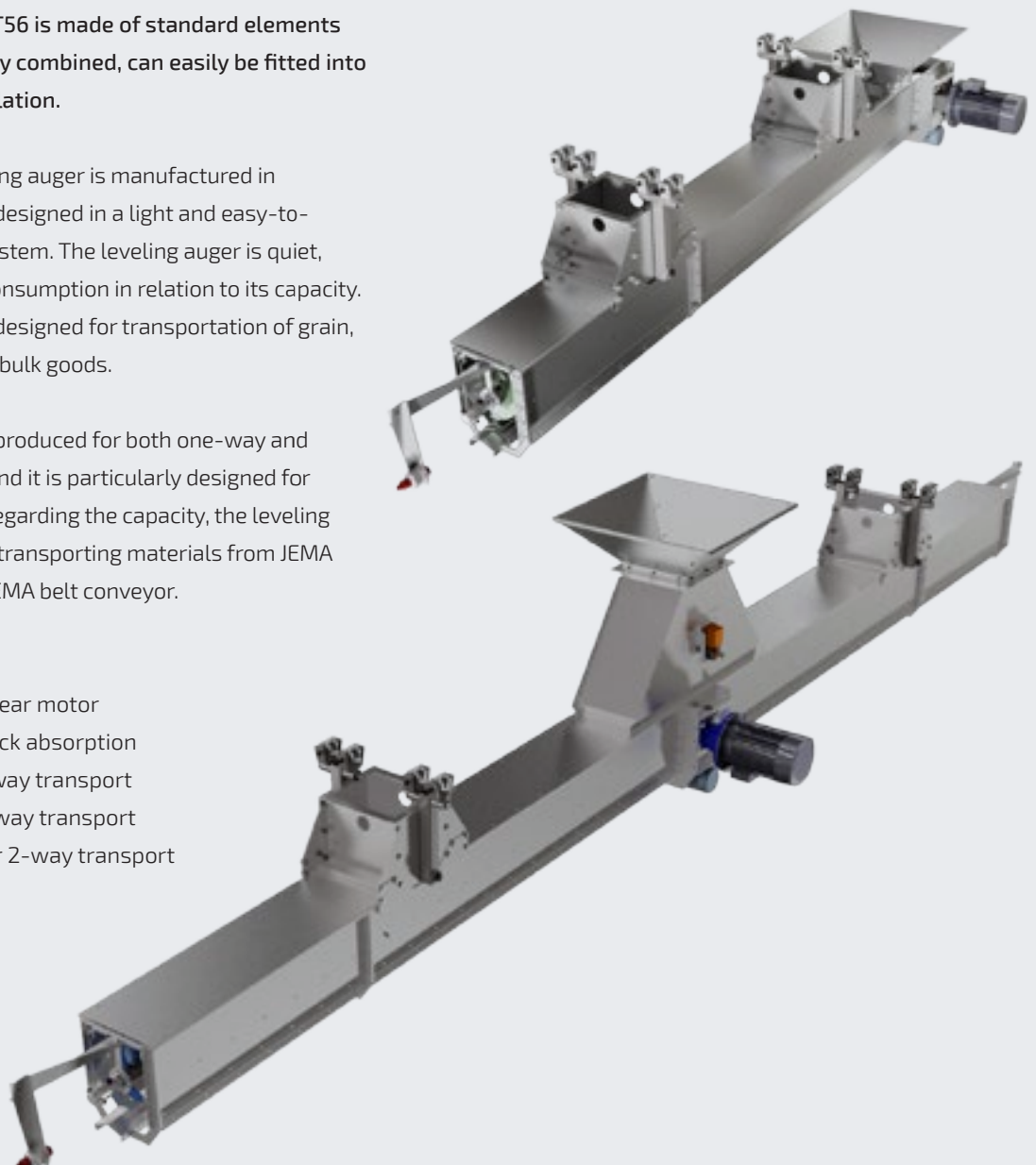
Leveling auger type T56 is made of standard elements which, when correctly combined, can easily be fitted into any conveying installation.

The JEMA AGRO leveling auger is manufactured in galvanized steel and designed in a light and easy-to-assemble modular system. The leveling auger is quiet, and has low power consumption in relation to its capacity. The leveling auger is designed for transportation of grain, granulates and other bulk goods.

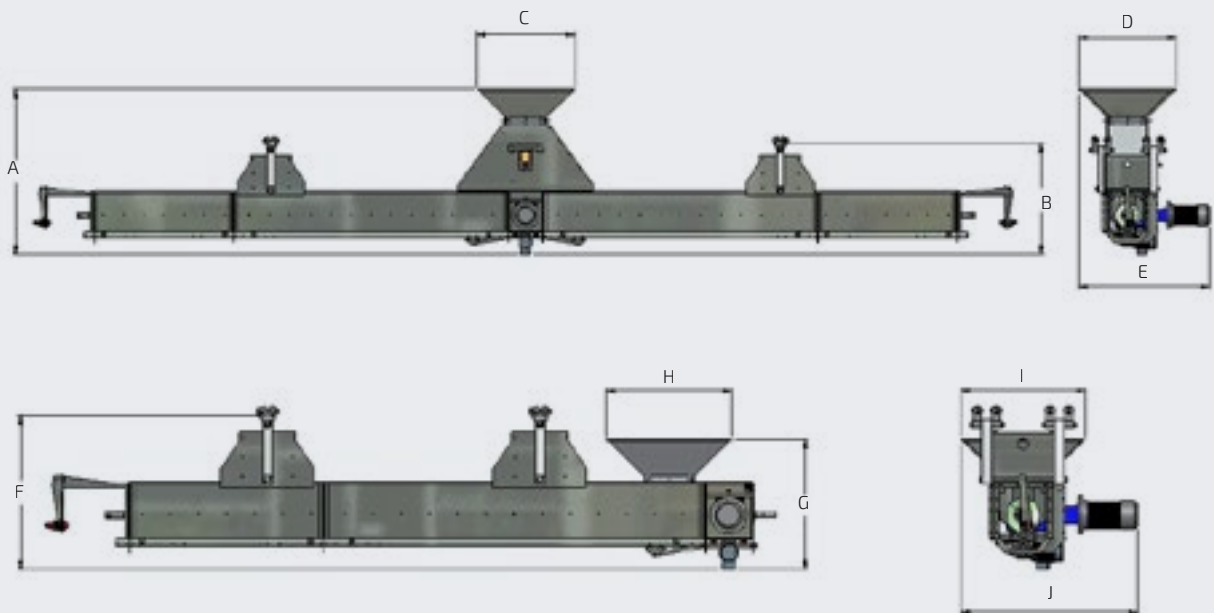
The leveling auger is produced for both one-way and two-way transport, and it is particularly designed for filling of flat floors. Regarding the capacity, the leveling auger is designed for transporting materials from JEMA chain conveyor or a JEMA belt conveyor.

Standard equipment:

- Directly mounted gear motor
- Torque arm for shock absorption
- Inlet hopper for 1-way transport
- Inlet hopper for 2-way transport
- Distribution box for 2-way transport
- Auger right/left
- Blockits sensor
- Travelling crabs



LEVELING AUGER TYP T56



Dimensions T56:

	A	B	C	D	E	F	G	H	I	J
T56	1230	820	730	730	1100	820	700	670	670	1050

Technical specifications:

	T56
Capacity based on 750 kg/m ³ (Wheat) t/h	45-150 t/h
Capacity m ³ /h	60-200 m ³ /h
Rotation speed	180/280/440 RPM
Diameter, auger	Ø180
Screw blading distance, auger	S160
Plate thickness, drive station	3 mm
Plate thickness, extension	2 mm

