

CHAIN CONVEYOR

TYPE T44 / T45



Chain conveyor type T44/T45 is made up of standard elements which, when correctly combined, can easily be fitted into any conveying installation.

The JEMA AGRO chain conveyor is made in galvanised material, which makes it particularly suitable for outdoor applications. The chain conveyor T44/T45 is designed for industrial transport of grain, granulates, and other bulk goods. A quality roller chain fitted with rubber carriers ensures that all material transport is conducted quietly, safely, and effectively.

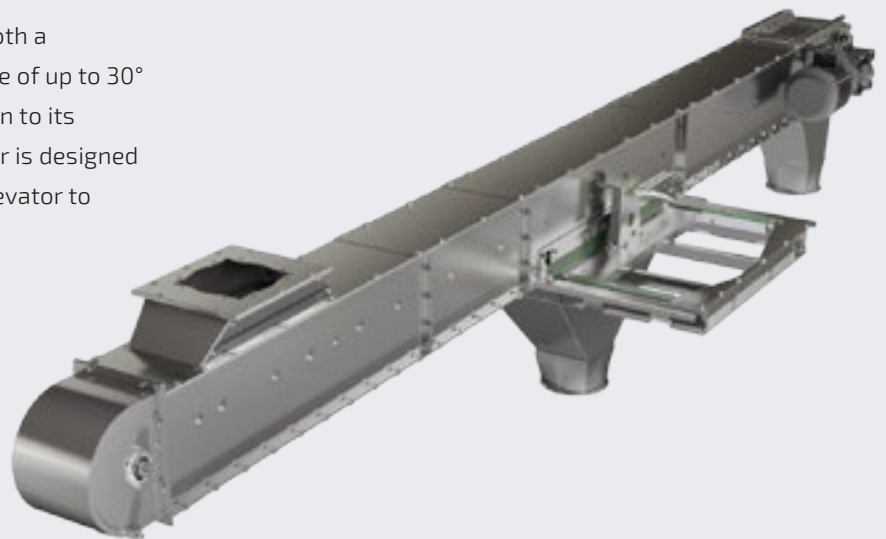
The chain conveyor works effectively in both a horizontal position and at an upward angle of up to 30° and has low power consumption in relation to its capacity. As regards capacity, the conveyor is designed for transporting materials from a JEMA elevator to storage or to a JEMA belt conveyor.

Standard equipment:

- Directly mounted gear motor
- Torque arm for shock absorption
- Outlet hopper 90°
- Rubber carriers
- Elevator boot/ tightening section
- Drive station with tensioner
- Inspection cover in elevator boot/ tightening section
- Inlet

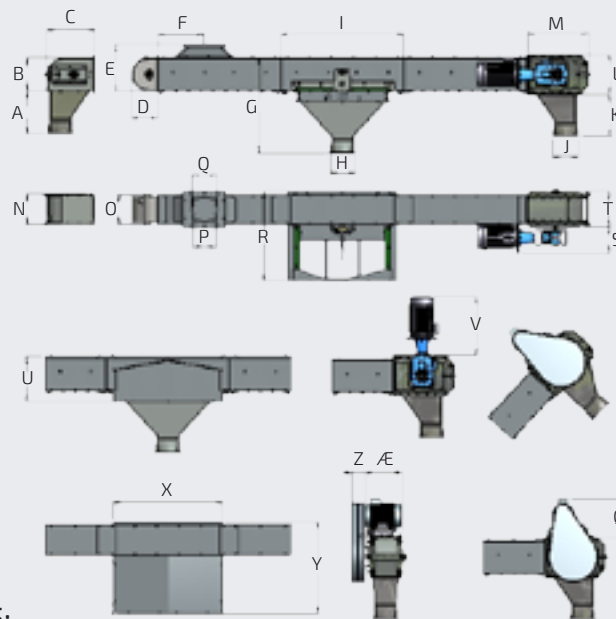
Accessories:

- Motor with v-belt pulley
- Intermediate outlet
- Cover for intermediate outlet
- Outlet hopper for intermediate outlet
- Shutter for drive station/ tightening section
- Cover for geared motor
- Wire suspension
- Speed control monitor
- PEHD 1000 bottom



CHAIN CONVEYOR

TYPE T44 / T45



Dimensions T44/T45:

	A	B	C	D	E	F	G	H	I	J	K	L	M	N
T44	342	300	430	215	380	378	780	Ø200	1000	Ø200	342	328	500	192
T45	342	300	430	215	380	378	780	Ø200	1000	Ø200	342	328	500	252

	O	P	Q	R	S	T	U	V	X	Y	Z	Æ	Ø
T44	189	180	Ø200	670	210	226	365	580	890	690	100	420	405
T45	249	180	Ø200	730	210	286	365	580	890	750	100	420	405

Technical specifications:

	T44	T45
Capacity based on 750 kg/m ³ (wheat) t/h	30 t/h	60 t/h
Capacity m ³ /h	40 m ³ /h	80 m ³ /h
Rotation speed	180 RPM	180 RPM
Chain speed	1,1 m/s	1,1 m/s
Pitch on chain	41,4 mm	41,4 mm
Tensile strength (Dynamic)	min. 17,8 kN	min. 17,8kN
Carrier, material	Rubber	Rubber
Plate thickness, drive station	3 mm	3 mm
Plate thickness, boot/ tightening section	3/1,5 mm	3/1,5 mm
Plate thickness extension	2/1,5 mm	2/1,5 mm

