

DISTRIBUTION AUGER TYPE T37



The JEMA AGRO leveling auger is a simple solution for distribution of grain. It has a low noise level, and in relation to its capacity, it has a low power consumption.

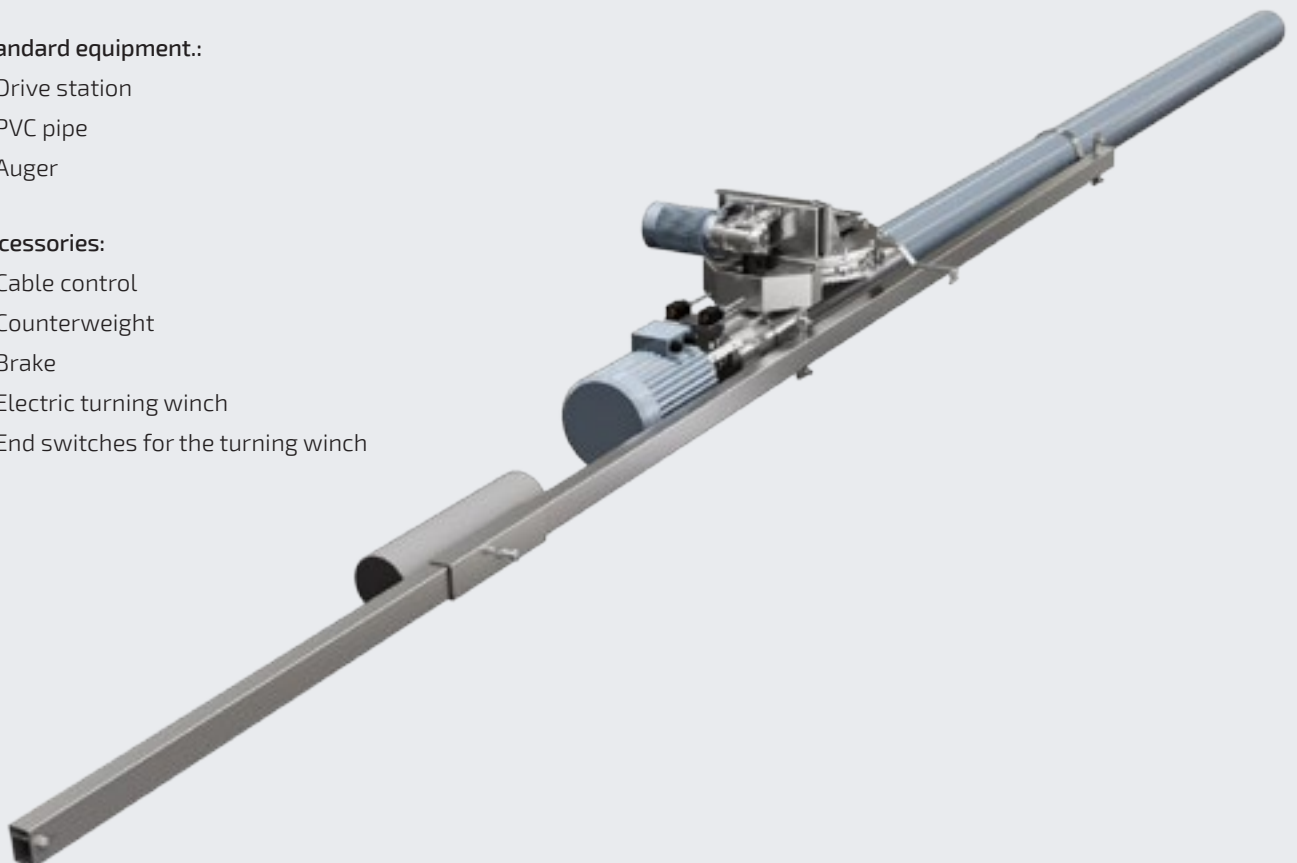
The T37 distribution auger is designed for transport of grain and other bulk material. The distribution auger can be used in spaces with limited height. It is fitted on the outlet of a JEMA T19V belt conveyor. From that position the auger can turn 300° and it can as such be used for filling indoor silos and bays. Furthermore the T37 distribution auger is handy for filling of flat floor storages. When fitted on a JEMA T19V belt conveyor, it can distribute grain evenly over the entire surface (within its reach). This can be done by equipping the distribution auger with a turning winch and electric control.

Standard equipment.:

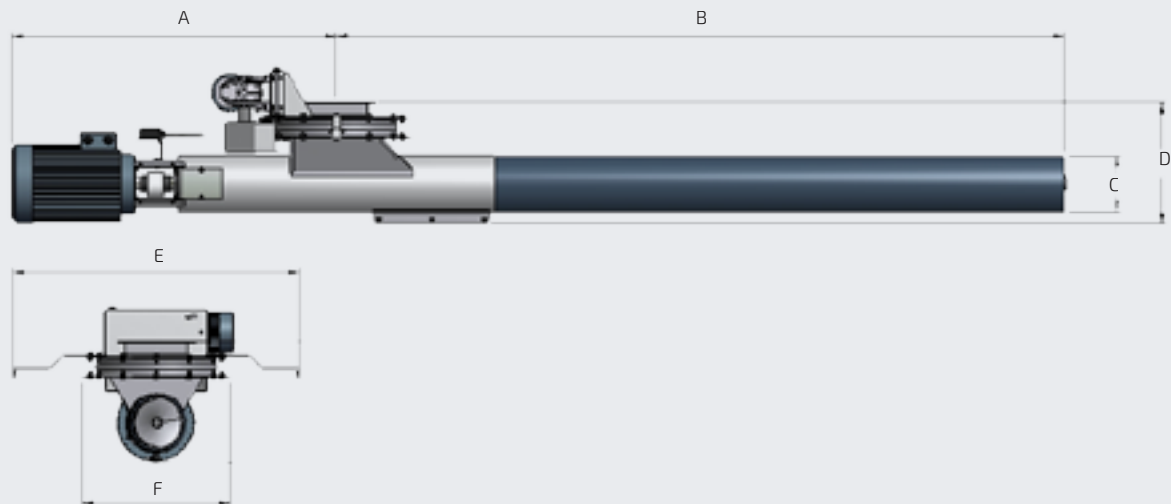
- Drive station
- PVC pipe
- Auger

Accessories:

- Cable control
- Counterweight
- Brake
- Electric turning winch
- End switches for the turning winch



DISTRIBUTION AUGER TYPE T37



Dimensions T37:

	A	B	C	D	E	F
T37	875	2000/3000/4000	Ø160	350	820	425

Technical specifications:

	T37
Capacity by 750 kg/m ³ (wheat) t/h	45 t/h
Capacity m ³ /h	60 m ³ /h
Rotation speed	750 RPM
Diameter of the auger	Ø135
Distance between the auger threads	S125
Steel thickness, drive station	3-5 mm

